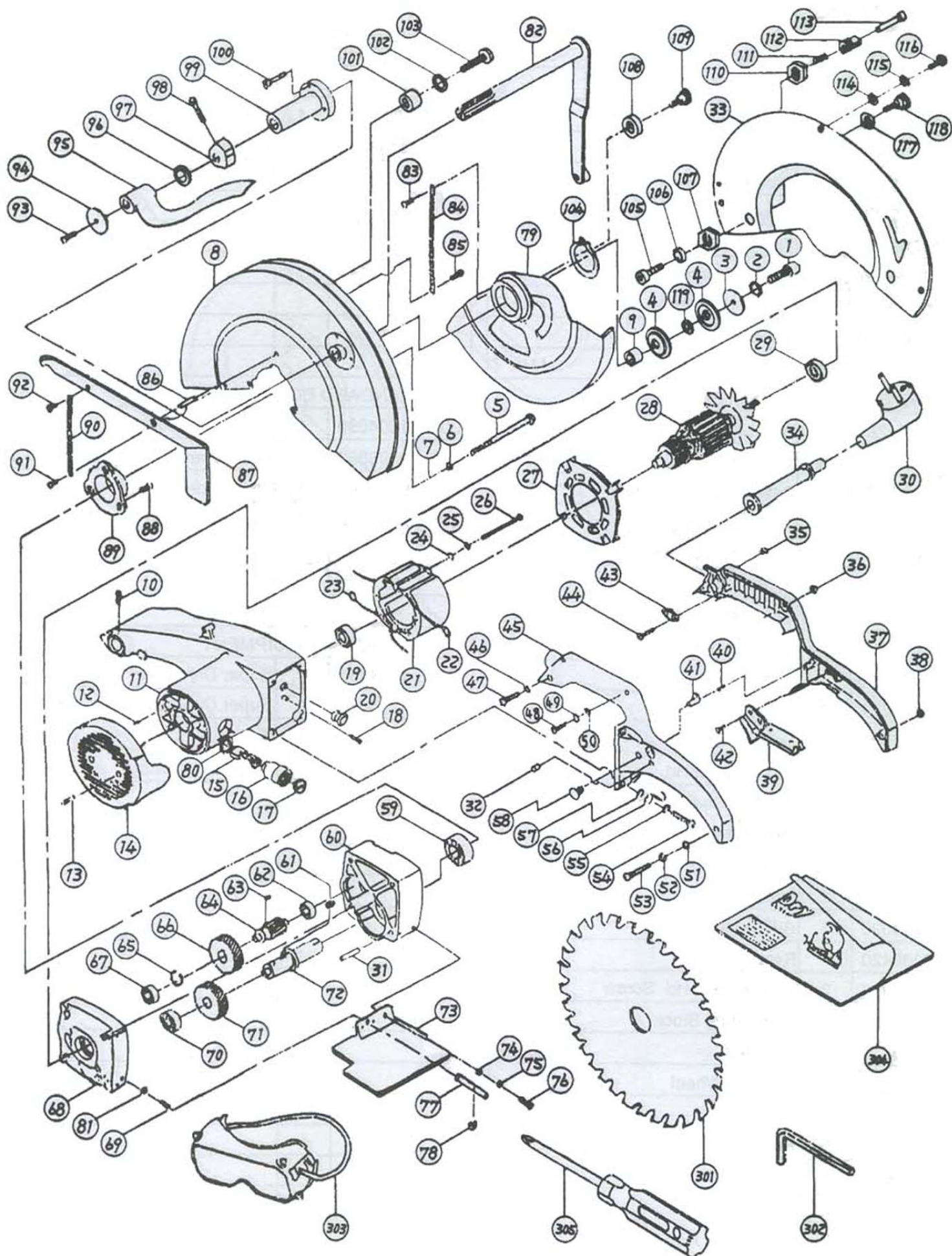
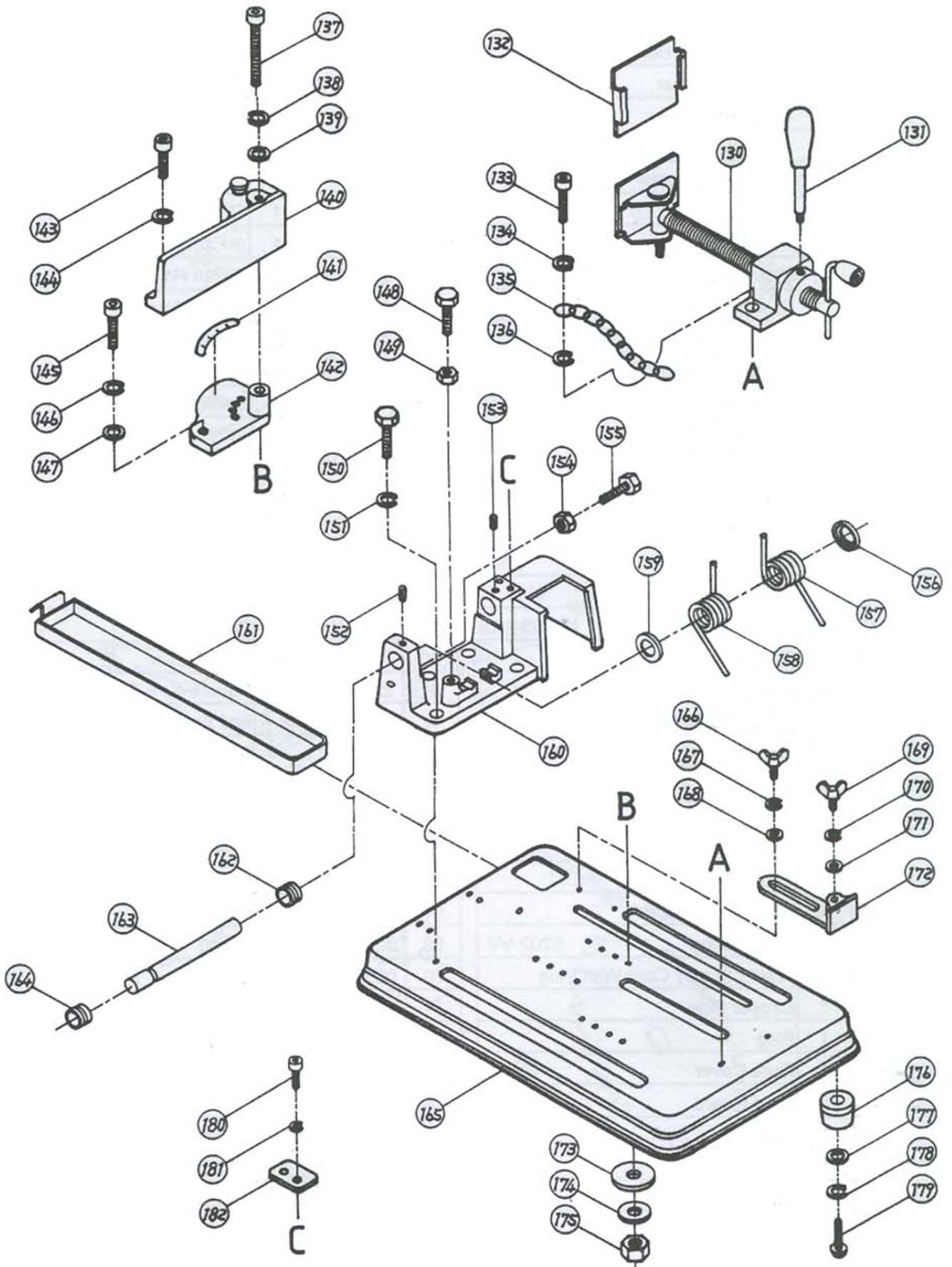


JEPSON

Dry Cutter 9314s

Technical drawing 1/2





ITEM NO	PART NO	Q'TY USED	PART NAME	NOTE
1	2458025	1	Hex. Socket Hd. Screw	M10×25
2	2222100	1	Spring Washer	Ø10
3	1209069	1	Flat Washer	Ø10×Ø40
4	2104004	2	Flange	M5×90
5	2413090	4	⊕ Pan Hd. Screw	
6	2222050	4	Spring Washer	Ø5
7	2223050	4	Flat Washer	Ø5
8	3005138-1	1	Blade Cover	
9	2106435	1	Spindle Collar	
10	2442010	2	Hex. Socket No Hd. Screw	M4×10
11	3001030	1	Motor Housing	
12	2442010	2	Hex. Socket No Hd. Screw	M4×10
13	2412014	2	⊕ Pan Hd. Screw	M4×14
14	1604205	1	Rear Cover	
15	0901008	2	Carbon Brush	
16	0903028	2	Carbon Brush Holder	
17	0902006	2	Bakelite Nut	
18	2412010	1	⊕ Pan Hd. Screw	M4×10
19	0604010	1	Ball Bearing	N6200-2RS
20	1606023	1	Wire Guard	
21	1001071	1	Field Assembly	(115V)
21	1002071	1	Field Assembly	(230V)
22	2210005	2	Brush Holder Spring	
23	2207043	2	Spring Loop	
24	2225050	2	Inner Tooth Washer	Ø5
25	2222050	2	Spring Washer	Ø5
26	2413072	2	⊕ Pan Hd. Screw	M5×72
27	1201030	1	Fan Guide	
28	1801058	1	Armature Assembly	(115V)
28	1802058	1	Armature Assembly	(230V)
29	0604012	1	Ball Bearing	6202-VV
30	1114013	1	Power Supply Cord With Plug	(UL, CSA)
30	1114001	1	Power Supply Cord With Plug	115/230V
30	1106003	1	Power Supply Cord With Plug	(VDE)
31	2106390	1	Copper Pipe	
32	1604211	1	Plug	
33	1203053	1	Face Cover	
34	1604243	1	Cord Guard	(115V)
34	1604242	1	Cord Guard	(230V)
35	3301005	1	Hex. Nut	M5
36	3301004	2	Hex. Nut	M4
37/45	1601025S	1	Switch Handle Set	(R+L)
38	3301004	2	Hex. Nut	M4
39	0704067	1	Switch	
40	2207012	1	Spring	

41	1604310	1 Stopper	
42	2492010	2 Tapping Screw	TS4×10
43	1604018	1 Strain Relief	
44	2492014	2 Tapping Screw	TS4×14
46	1209045	1 Flat Washer	Ø5×Ø9
47	2413026	1 ⊕ Pan Hd. Screw	M5×26
48	2412018	2 ⊕ Pan Hd. Screw	M4×18
49	2222040	2 Spring Washer	Ø4
50	1209044	2 Flat Washer	
51	1209044	2 Flat Washer	
52	2222040	2 Spring Washer	
53	2412028	2 ⊕ Pan Hd. Screw	M4×28
54	2414025	4 ⊕ Pan Hd. Screw	M6×25
55	2222060	4 Spring Washer	Ø6
56	1209067	1 Hanger	
57	1209093	5 Flat Washer	Ø6×Ø12
58	1604309	1 Push Pole	
59	0606014	1 Ball Bearing	6204LLU
60	3004047	1 Front Cover	
61	2202052	1 Square Key	5×5×12
62	603010	1 Ball Bearing	N6200-RS
63	2202050	1 Square Key	
64	1906025	1 Gear Shaft	
65	2203180	1 Retaining Ring	C-18
66	1905079	1 Helical Gear	
67	603005	1 Ball Bearing	N6000-RS
68	3002035	1 Inner Cover	
69	2207006	1 Spring	
70	0603010	1 Ball Bearing	N6200-RS
71	1905101	1 Helical Gear	
72	2004071-1	1 Spindle	
73	1604044	1 Protection Plate	
74	2223040	3 Flat Washer	Ø4
75	2222040	3 Spring Washer	Ø4
76	2412012	3 ⊕ Pan Hd. Screw	M4×12
77	2106022	1 Spindle Locker	
78	2204050	1 Retaining Ring	E-5
79	3005139	1 Safety Cover	
80	512005	2 Insulating Washer	
81	1209108	1 Flat Washer	
82	1501084	1 Guide Assembly	
83	2412007-1	1 ⊕ Pan Hd. Screw	M4×7
84	2207069	1 Tension Spring	
85	2412007-1	1 ⊕ Pan Hd. Screw	M4×7
86	2106385	1 Support Pin	
87	1209422-1	1 Arm Lock Plate	
88	2422010	3 ⊕ Counter Sunk Hd. Screw	M4×10
89	2106372	1 Safety Cover Guide	

ITEM NO	PART NO	Q'TY USED	PART NAME	NOTE
90	2207070	1	Tension Spring	
91	2412007-1	1	⊕ Pan Hd. Screw	M4×7
92	2412007-1	1	⊕ Pan Hd. Screw	M4×7
93	2412010	1	⊕ Pan Hd. Screw	M4×10
94	1209416	1	Flat Washer	Ø4×Ø26
95	3005126-1	1	Guide Grip	
96	2106387	1	Flat Washer	Ø12.8×Ø25
97	2106386	1	Leading Wheel	
98	2453010	1	Hex. Socket Hd. Screw	M5×10
99	1604204	1	Support Seat	
100	2452016	3	Hex. Socket Hd. Screw	M4×16
101	1606072	1	Rubber Ring	
102	2223050	1	Flat Washer	Ø5
103	2413020	1	⊕ Pan Hd. Screw	M5×20
104	2203420	1	Retaining Ring	C-42
105	2452010	2	Hex. Socket Hd. Screw	M4×10
106	2106420-1	2	Supporting Block	
107	2106419	2	Hex. Nut	M20×6
108	1604259	1	Leading Wheel	
109	2106247	1	Screw	M5×11
110	2106419	2	Hex. Nut	M20×6
111	2207082	2	Compression Spring	
112	2106421-1	2	Supporting Bolt	
113	2106418	2	Supporting Rod	
114	2223040	3	Flat Washer	Ø4
115	2222040	3	Spring Washer	Ø4
116	2412010	3	⊕ Pan Hd. Screw	M4×10
117	2221080	1	Wave Washer	Ø8
118	2106428	1	Screw	M5×8×14
119	2108035	1	Cutter Bush	
130	1501128-1	1	Vise Assembly	
131	1604041	1	Quick Setting Knob	
132	1209471	1	Jig Plate	
133	2456035	2	Hex. Socket Hd. Screw	M8×35
134	2222080	1	Spring Washer	Ø8
135	1209485	1	Chain	
136	2222080	2	Spring Washer	Ø8
137	2458080	1	Hex. Socket Hd. Screw	M10×80
138	2222100	1	Spring Washer	Ø10
139	1209284	1	Flat Washer	Ø10×Ø22
140	1501129	1	Fence Guide Assembly	

141	1712040	1 Scale Plate	
142	3101035	1 Fence Guide	
143	2458030	1 Hex. Socket Hd. Screw	M10×30
144	2222100	1 Spring Washer	Ø10
145	2458035	1 Hex. Socket Hd. Screw	M10×35
146	2222100	1 Spring Washer	Ø10
147	1209284	1 Flat Washer	Ø10×Ø22
148	2476025	1 Hex. Hd. Screw	M8×25
149	3301008	1 Hex. Nut	M8
150	2476035	4 Hex. Hd. Screw	M8×35
151	2222080	4 Spring Washer	Ø8
154	3301008	1 Hex. Nut	M8
155	2456025	1 Screw	M8×25
156	1209484	1 Washer	Ø18×Ø37.5
157	2207072-1	1 Torsion Spring	(R)
158	2207071-1	1 Torsion Spring	(L)
159	1209484	1 Washer	Ø18×Ø37.5
160	3005146	1 Pivot Block	
161	1209482	1 Chip Box	
162	2106450	1 Axle Sleeve	Ø20
163	2106094-1	1 Swing Shaft	
164	2106448	1 Axle Sleeve	Ø22
165	1209483	1 Base	
166	2403012	1 Thumb Screw	M5×12
167	2222050	1 Spring Washer	Ø5
168	1209352	1 Flat Washer	Ø5×Ø14
169	2403012	1 Thumb Screw	M5×12
170	2222050	1 Spring Washer	Ø5
171	1209352	1 Flat Washer	Ø5×Ø14
172	1501130	1 Stopper Set	
173	1209069	1 Flat Washer	Ø10×Ø40
174	1209283	1 Flat Washer	Ø10×Ø28
175	3301010	1 Hex. Nut	M10
176	1606100	3 Rubber Foot	
177	1209051	3 Flat Washer	Ø6×Ø15
178	2222060	3 Spring Washer	Ø6
179	2414040	3 ⊕ Pan Hd. Screw	M6×40
180	2453015	2 Hex. Socket Hd. Screw	M5×15
181	2222050	2 Spring Washer	Ø5
182	1209421	1 Set Plate	
302	2603080	1 Hex. Wrench	8mm
305	2609002	1 Screw Driver	